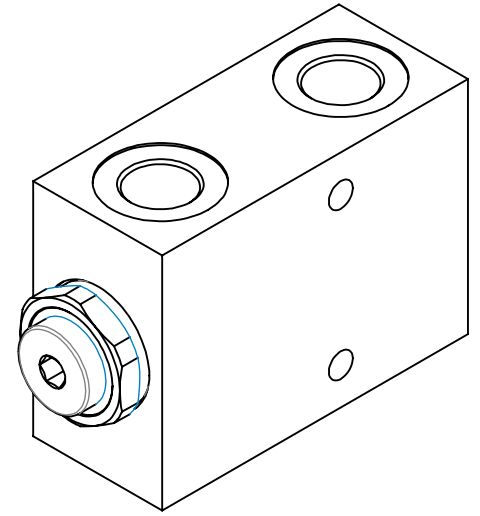
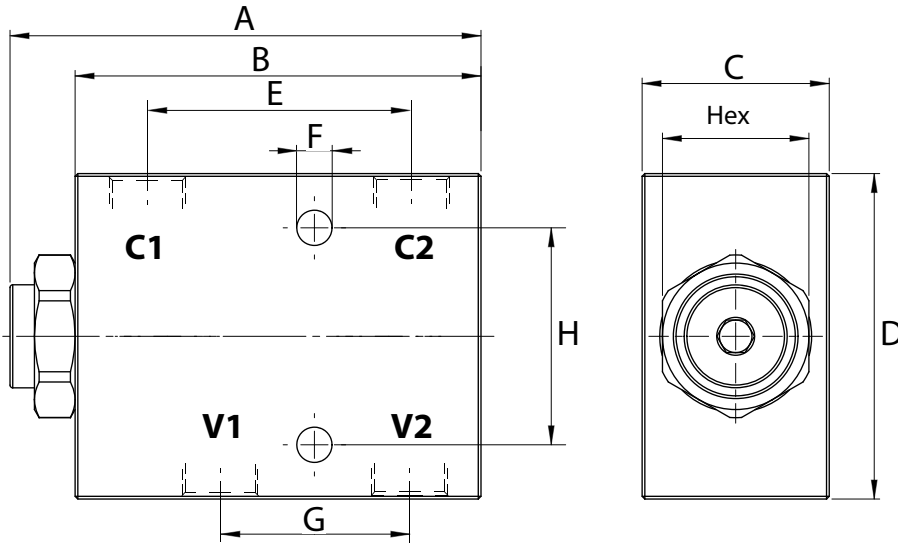
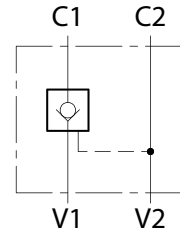


Dimensions

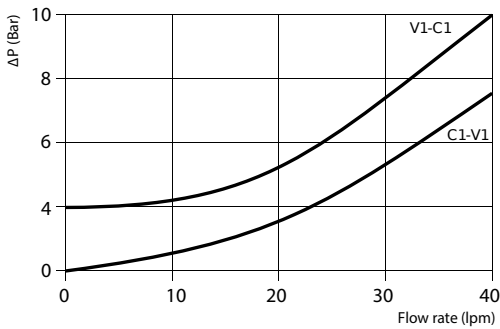


Size	C1-C2 V1-V2 BSP	A	B	C	D	E	F	G	H	Hex	Weight kg
02	3/8	95	83	35	60	49	6,5	32	40	27	0,52
25	1/2	95	83	35	60	49	6,5	32	40	27	0,48

Hydraulic Symbol



Curves



Features

Size	02	25
Max Pressure (bar)	260	260
Max Flow (lpm)	35	35
Pilot Ratio	1:7	1:7
Cracking Pressure (bar)	4	4

Materials: Aluminium manifold, hardened steel inner parts.

Ordering Code

LVSL		--
		Size BSP
02		3/8
25		1/2

Ordering Code Example: LVSL02 = 3/8 BSP, 35 lpm.